

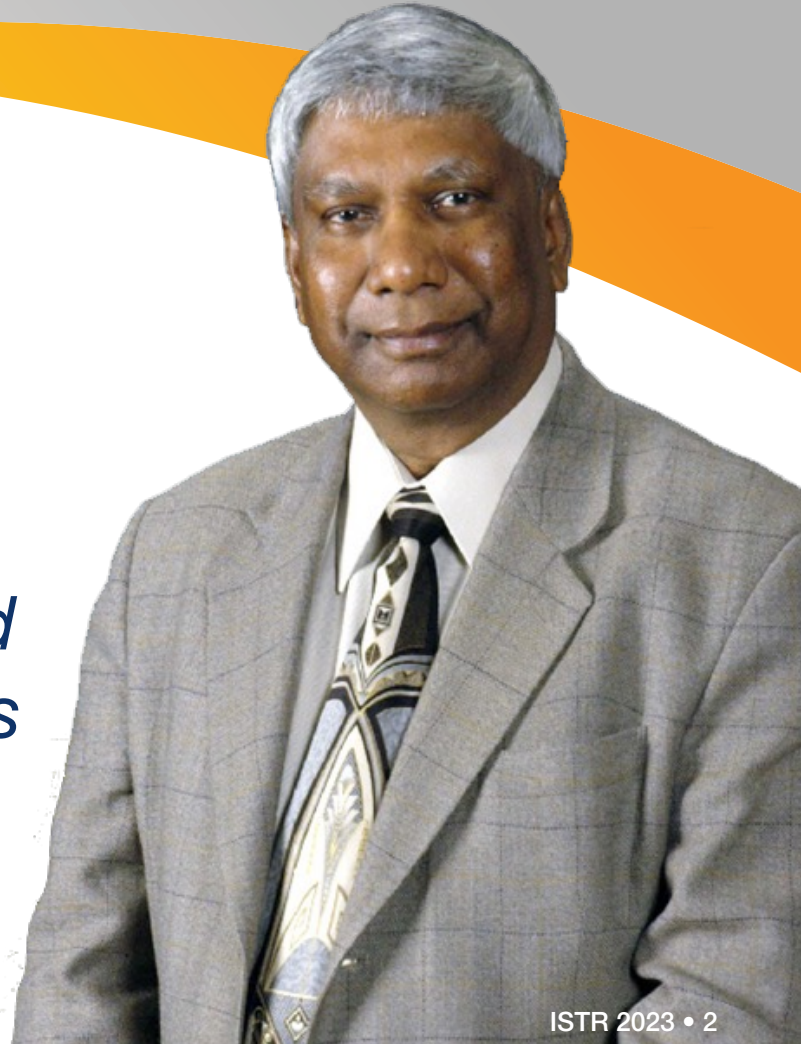
THE FUTURE OF Theranostics

Best Theratronics Ltd.



Krishnan Suthanthiran

Krish@teambest.com
*Founder and President
of Best Cure Foundation and
TeamBest Global Companies*



The Future of Healthcare Delivery in the 21st Century: *Contributions of Best Cure Foundation and TeamBest Global Companies*







TEAMBEST GLOBAL®



www.teambest.com



KITSAULT ENERGY

FUELING THE GREEN FUTURE

TEAMBEST GLOBAL[®]

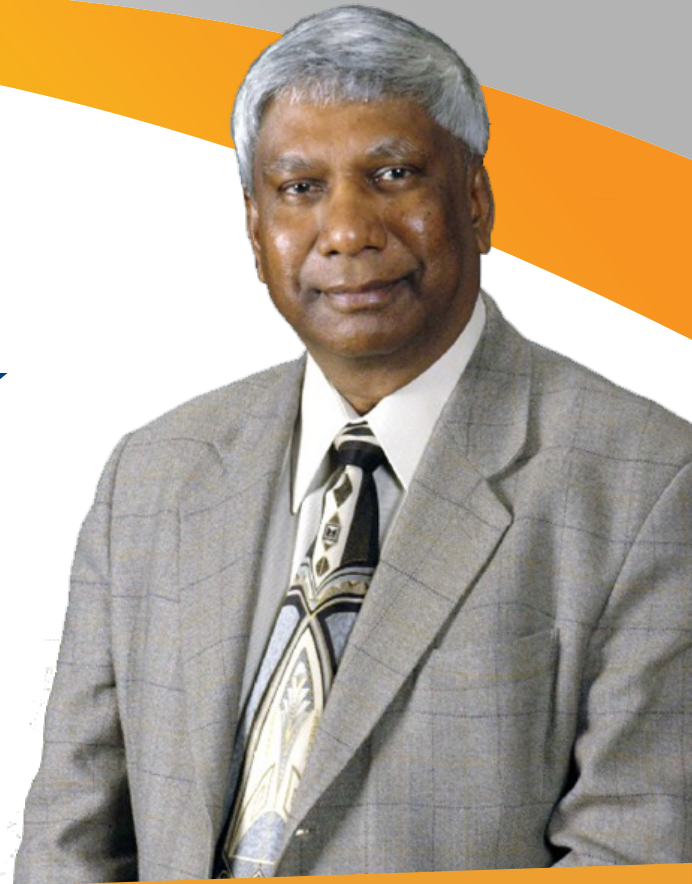


www.teambest.com



***A healthy person has
many wishes, but the sick
person has only one.
Health is wealth.***

– Indian Proverb

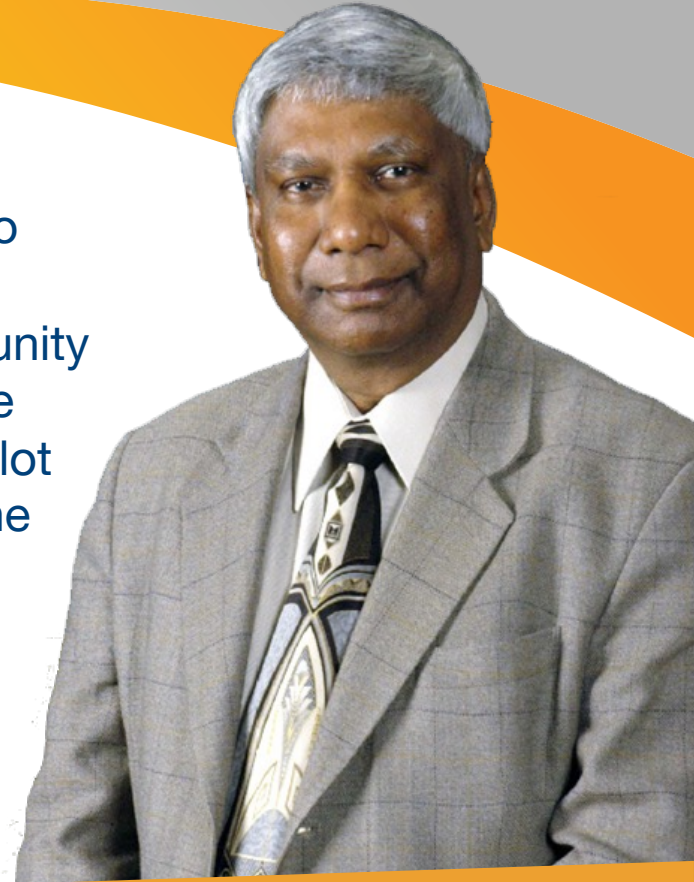


Krishnan Suthanthiran—*Founder and President of
Best Cure Foundation and TeamBest Companies*



Life is a gift from our parents. We are born to live, and live to enjoy and cherish our gift. We can look at every obstacle as an opportunity or every opportunity as an obstacle. Who we are, what we are, and where we are, have a lot to do with the choices we have made and the ones we did not. Our career and service to the community are the outcome of what we do with the gift.

– *Krishnan Suthanthiran*



Krishnan Suthanthiran—*Founder and President of Best Cure Foundation and TeamBest Companies*



Krishnan Suthanthiran's Parents





Krishnan Suthanthiran's Mother

Krishnan Suthanthiran has established a division under BCF called “**3E – Education, Empowerment and Equality**” to promote the development and advancement of women. It is his belief that every man and woman was given birth to, nursed, and nourished by women, and therefore, they share a greater responsibility in juggling career and family, in raising children and caring for the home. In memory of his mother, Krish is proud to support women around the world in pursuing their goals through the 3E organization.

Mahatma Gandhi dreamt of a free India. Today, it is the world's largest democracy.

President John F. Kennedy dreamt of landing a man on the moon; eight years later we took that “giant step for mankind.”

Reverend Martin Luther King dreamt people would one day be judged by their character rather than their color; he helped pave the way for Barack Obama to be elected President of the United States.





“ I, too, have a dream – one shared by billions of our fellow citizens of the world – and a plan to realize this dream of quality healthcare and education that are affordable and accessible to all.”

— *Krishnan Suthanthiran*



Best Cure Foundation's Goals



Best Cure Foundation

Best Cure Global Healthcare Delivery System



Best Cure Foundation's aim is to:

- Reduce the cost of healthcare worldwide by 30 percent or more
- Launch the Best Cure Total Health™ Program
- Increase transparency through Best Cure Proactive Healthcare™

Best Cure Global Healthcare System is comprised of:

1. Best Cure Health System (non-profit)
2. Best Cure Insurance (non-profit)
3. Best Cure Clinical Research Institute (non-profit)
4. Best Medical Real Estate Investment Trust (for profit public company)
5. Best Medical Capital (for profit public company)
6. TeamBest Global (TBG) companies (for profit public company)



All of the non-profit organizations will be under the Best Cure Foundation (BCF), a non-profit, global, private, non-governmental organization founded in 2007 and supported entirely by Krishnan Suthanthiran, President/Founder of TBG and BCF.

Best Cure Foundation's aim is to:

- Reduce the cost of healthcare worldwide by 30 percent or more
- Launch the Best Cure Total Health™ Program
- Increase transparency through Best Cure Proactive Healthcare™

Best Cure Foundation's aim is to:

- Establish:
 - Express/mobile clinics and medical centers as non-profit, private, non-governmental organizations that are self sustaining
 - Best Cure U.S. Health Corps
 - Best Cure International Health Corps
 - Best Cure Global Institute
 - Best Cure Global Standard of Care
 - Best Cure Global Purchasing Organization
 - Best Cure Global Insurance

Best Cure Foundation



GOAL 1:

Providing purified drinking water and affordable sewer systems in every part of the world by **2040**

Best Cure Foundation

GOAL 2:

Establishing a global standard of healthcare delivery system using a hub & spoke model with express and mobile clinics linked to general and super specialty medical centers



Best Cure Foundation



GOAL 3:

Reduce suffering/deaths from major diseases such as cardiac, cancer, diabetes, etc. by **50%** by the end of the next decade



GOAL 4:



**3E – Education,
Empowerment
and Equality**

**Promoting the development
and advancement of women**

Global War on Cancer

Launched by Best Cure Foundation & TeamBest Companies

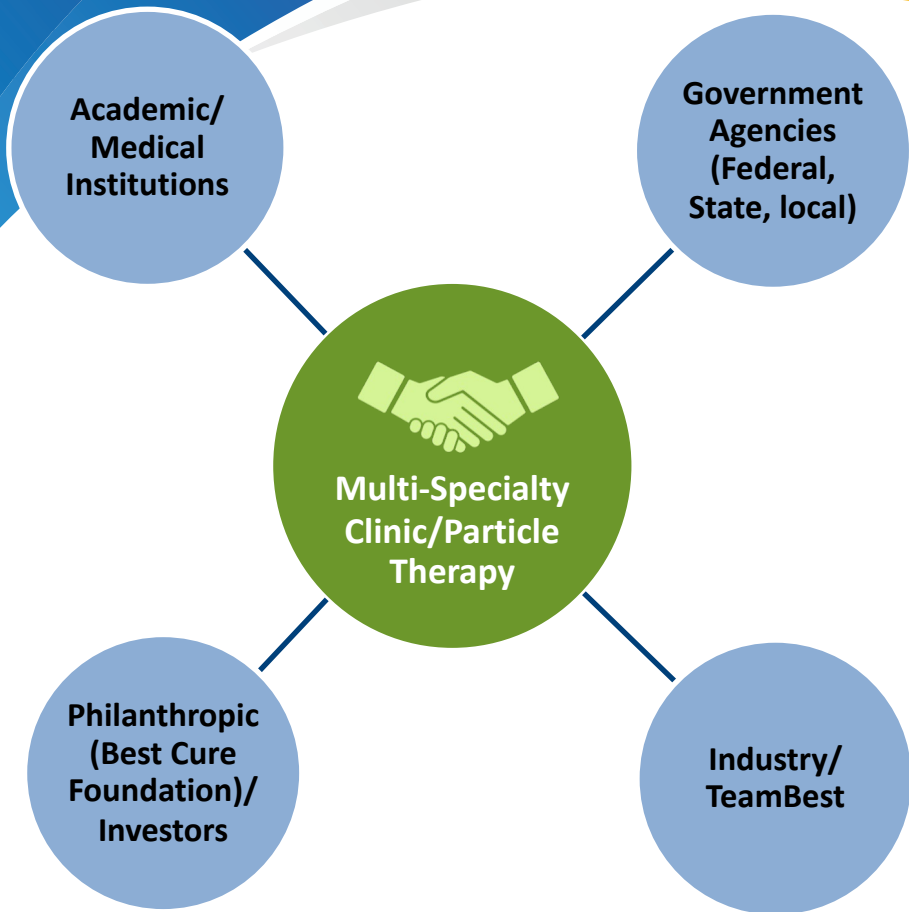
While there have been many significant improvements and advancements in medical technologies, many patients around the world do not receive timely interventions or the right care. Mr. Suthanthiran firmly believes more should be done. He formed the Best Cure Foundation in 2007 to work with TeamBest companies and other leading-edge companies and experts to establish a Hub-and-Spoke model of healthcare delivery systems to overcome these shortcomings. On April 29th, 2015, Mr. Suthanthiran launched the **Global War On Cancer** in memory of his late father whom he lost to cancer in 1968. His **Global War On Cancer** includes express and mobile clinics linked to general and super-specialty medical centers worldwide.

Global War on Cancer

Launched by Best Cure Foundation & TeamBest Companies

Mr. Suthanthiran has interacted with those in the private sector and government agencies in more than 20 countries over his career spanning more than half a century in Asia, South America, the Middle East and North America. In that time, he has stated, “It is clear that there is a groundswell of support for a better, affordable, and accessible healthcare delivery system globally.”

He has established and acquired a number of medical companies globally, in order to collect many of the technologies needed to establish a Proactive Healthcare Delivery System, focused on transparency of clinical benefits, outcome, and cost using a Total Health Approach – Prevention, Early Detection, and Effective Treatment for Total Cure.



Public/Private Partnership Funding Model

Total Health System

Prevention, Early Detection and
Effective Treatment for Total Cure



Proactive Healthcare Delivery

Full Transparency on Clinical Outcome,
Benefits and Cost



Express & Mobile Clinics

Linked to General Medical and Multi-Specialty
Medical Centers

Connected to 3-6 star Apartment Hotels



Best Cure Global Healthcare System Is Comprised Of:

1. Best Cure Health System (*non-profit*)
2. Best Cure Insurance (*non-profit*)
3. Best Cure Clinical Research Institute (*non-profit*)
4. Best Medical Real Estate Investment Trust (*for profit public company*)
5. Best Medical Capital (*for profit*)
6. TeamBest Global (TBG) companies (*for profit public company*)

All of the non-profit organizations will be under the **Best Cure Foundation**, a non-profit, global, private, non-governmental organization founded in 2007 and supported entirely by Krishnan Suthanthiran



For-profit Companies can be
under the umbrella of TeamBest
Global, a public company



Brownsville Hospital | Brownsville, PA

Best Cure **Health System**

Brownsville, PA

Vision for the future:

- Blood Laboratory
- Imaging Center
- Radiation Oncology
- Medical "Isotope" Production
- Education & Rehabilitation Services
- Proton Therapy Center
- Healing Garden



Emergency Area

Brownsville Hospital | Brownsville, PA



Operating Room

Brownsville Hospital | Brownsville, PA



Physicians Scrub Room

Brownsville Hospital | Brownsville, PA



Intensive Care Unit

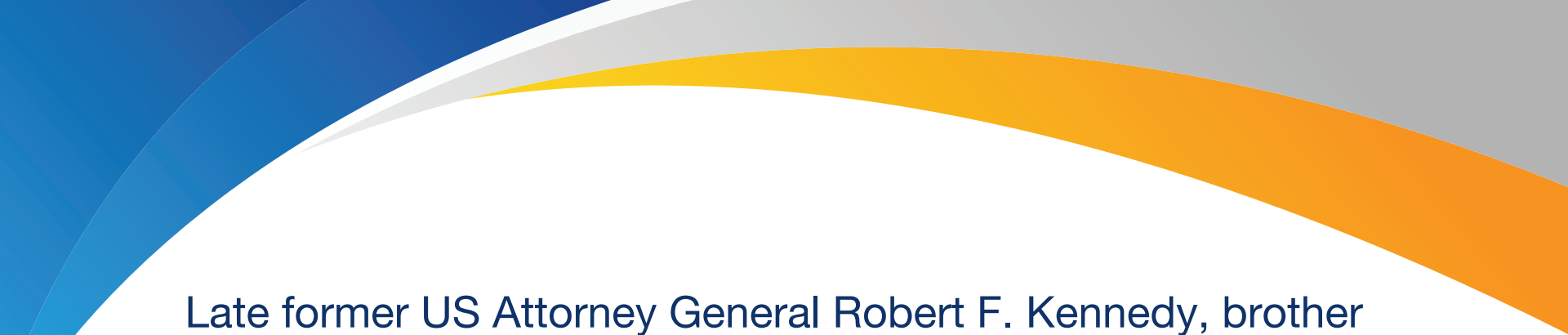
Brownsville Hospital | Brownsville, PA



Lobby

Brownsville Hospital | Brownsville, PA





Late former US Attorney General Robert F. Kennedy, brother of late former US President John F. Kennedy once said that, “Each time a man stands up for an ideal, or acts to improve the lot of others, or strikes out against injustice, he sends forth a tiny ripple of hope.” This historic quote is one that has influenced Mr. Suthanthiran’s strong compassion and hopes of improving quality of life by expanding quality healthcare and education around the world by making them affordable and accessible.



KITSAULT, BC



WWW.KITSAULTENERGY.COM





KITSAULT, BC



KITSAULT, BC

Albert Einstein once said:

“If at first, the idea is not absurd, then there is no hope for it.”



There is an African Proverb that says:
“If you want to walk fast, walk alone. If you want to walk far, walk together.”



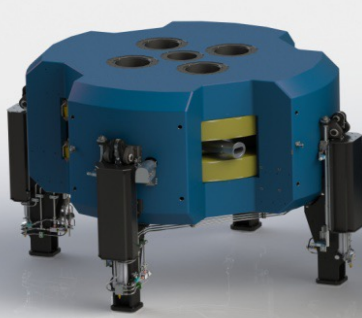
BestTM Cyclotron Systems

A TEAMBEST GLOBAL COMPANY

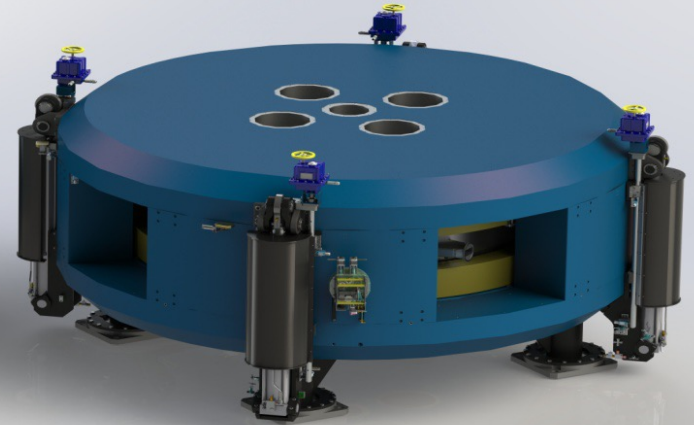
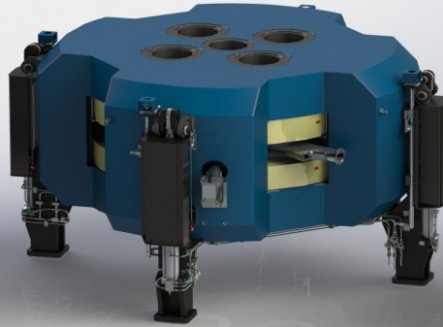


Best Model B100, 200 & 300	1-11 MeV	Low energy, self-shielded compact system capable of producing: ^{18}F FDG, Na^{18}F , ^{18}F -MISO, ^{18}F FLT, ^{18}F -Choline, ^{18}F -DOPA, ^{18}F -PSMA, ^{11}C , ^{13}N , ^{68}Ga and $^{99\text{m}}\text{Tc}$
NEW Best Cyclotrons	1–3 MeV	Deuterons for materials analysis (Patent Pending)
	70-200 MeV	For Proton Therapy (Patent Pending)
	3–90 MeV	High current proton beams for neutron production and delivery (Patent Pending)
Best 15p Cyclotron	1–15 MeV	Proton only, capable of high current up to 1000 Micro Amps, for medical radioisotopes
Best 20u/25p Cyclotron	20, 15–25 MeV	Proton only, capable of high current up to 1000 Micro Amps, for medical radioisotopes
Best 35p/35adp Cyclotron	15–35 MeV	Proton or alpha/deuteron/proton, capable of high current up to 1000 Micro Amps, for medical radioisotopes
Best 70p/70adp Cyclotron	35–70 MeV	Proton only, capable of high current up to 1000 Micro Amps, for medical radioisotopes

PET and TC^{99m}



SPECT Radioisotopes



Radiotherapeutics and Generators

B15p PET

15 MeV

400 μ A +

Targets Radiochemistry

B20u/25p

20/15-25 MeV

400 μ A +

Targets Radiochemistry

B30u/35p

30/15-35 MeV

400/1000 μ A

Targets Radiochemistry

B70p

35-70 MeV

1000 μ A

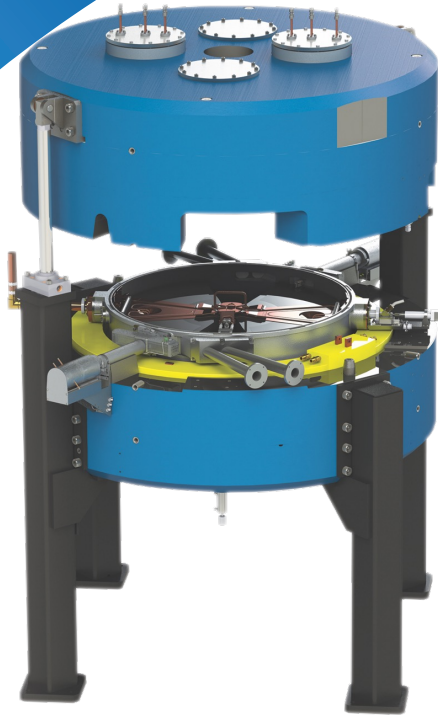
Targets Radiochemistry

Each cyclotron allows production access to special radioisotopes

Best Model 200 Sub-Compact Self-Shielded Cyclotron w/Optional Second Chemistry Module & Novel Target

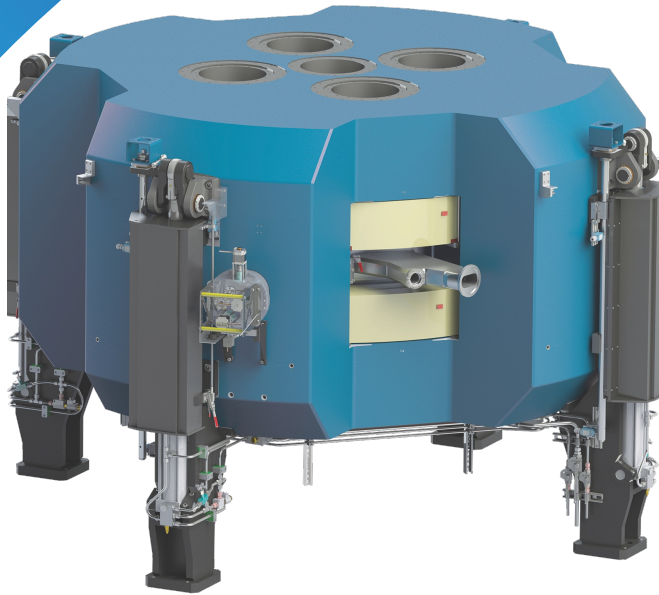
- Low energy compact system, can be placed next to PET/CT
- Easy to operate push-button graphic interface
- Automated quality control testing
- Ideal for Nuclear Cardiology/Oncology and other applications
- Capable of producing: ^{18}F FDG, Na^{18}F , ^{18}F -MISO, ^{18}F FLT, ^{18}F -Choline, ^{18}F -DOPA, ^{18}F -PSMA, ^{11}C , ^{13}N and ^{68}Ga





Best 6–15 MeV Compact High Current/Variable Energy Proton Cyclotron

- 1–1000 μA extracted beam current
- Capable of producing the following isotopes: ^{18}F , ^{68}Ga , ^{89}Zr , $^{99\text{m}}\text{Tc}$, ^{11}C , ^{13}N , ^{15}O , ^{64}Cu , ^{67}Ga , ^{111}In , ^{124}I , ^{225}Ac and ^{103}Pd
- Up to 5×10^{13} neutrons per second from external target
- 21 stripping foils at each stripping port for 2 minute rapid change



Best Model B35adp Alpha/ Deuteron/Proton Cyclotron for Medical Radioisotope Production & Other Applications

- Proton Particle Beam: 1000 μA Beam
Current up to 35 MeV Energy
- Deuteron Particle Beam: 500 μA Beam
Current up to 15 MeV Energy
- Alpha Particle Beam: 200 μA Beam
Current up to 35 MeV Energy



Best 70 MeV Cyclotron Ideal for Sr-82/Rb-82 Supply and Research

- 70-35 MeV variable energy H- cyclotron
- 700 μA extracted beam current (upgradable to 1000 μA)
- 2 simultaneous extracted beams
- Multiple independent beam lines and target positions

Installation of 70MeV Cyclotron

May 2015 - Legnaro, Padova, Italy



Installation of 70MeV Cyclotron

May 2015 - Legnaro, Padova, Italy



Inauguration of 70 MeV Cyclotron at INFN

December 2016 - Legnaro, Padova, Italy

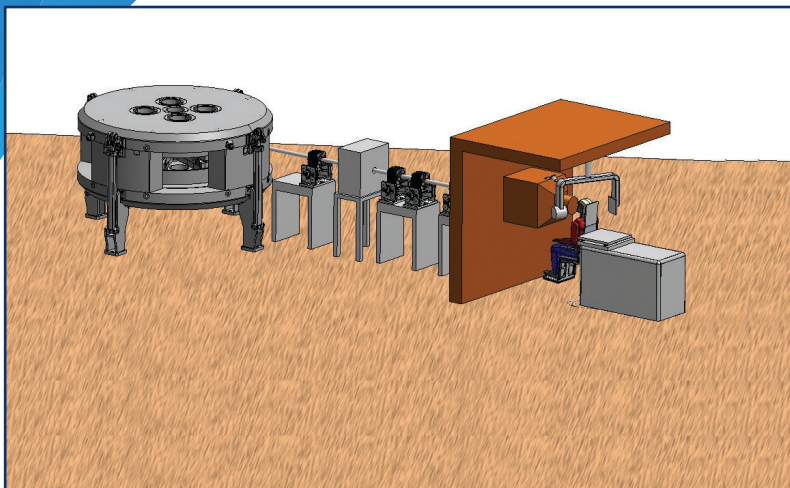


Front Page News in Padova, Italy



70 MeV Cyclotron at INFN

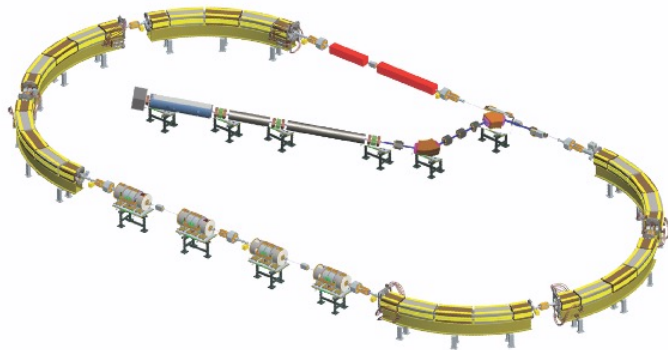




Best Model 200p Cyclotron for Proton Therapy *(Patent Pending)*

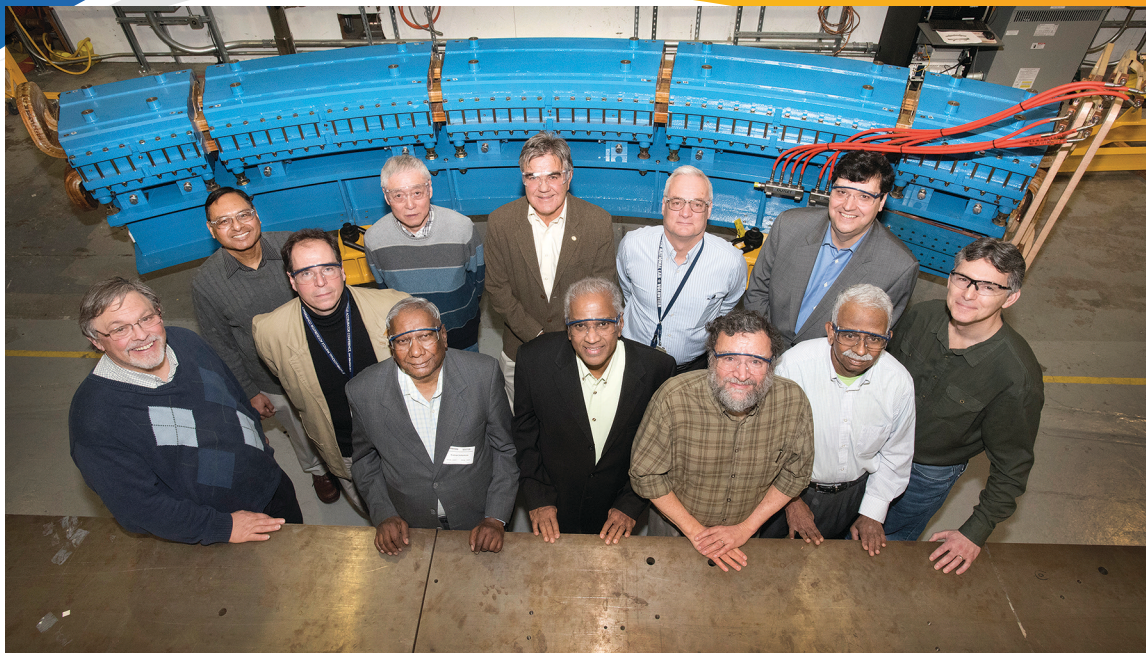
- From 70 MeV up to 200 MeV Non-Variable Energy
- Dedicated for Proton Therapy with two beam lines and two treatment rooms
- For all Medical Treatments including: Benign and Malignant Tumors, Neurological, Eye, Head/Neck, Pediatric, Lung Cancers, Vascular/Cardiac/Stenosis/Ablation, etc.





ion Rapid Cycling Medical Synchrotron (iRCMS) Racetrack

- Intrinsically small beams facilitating beam delivery with precision
- Small beam sizes—small magnets, light gantries—smaller footprint
- Highly efficient single turn extraction
- Flexibility—heavy ion beam therapy (protons and/or carbon), beam delivery modalities



Prototype iRCMS Combined Function Magnet





Installation of Best 70 MeV Cyclotron at INFN, Legnaro, Italy



Products & Solutions

Brachytherapy Solutions

- [Best Total Solutions](#)
- [Seed Sources](#)
- [Markers](#)
- [Afterloading Accessories](#)
- [Applicators](#)
- [Needles](#)
- [Brachytherapy Kits](#)
- [Templates](#)
- [Dummy Ribbons](#)
- [Breast Balloon Applicator](#)
- [Needle Loading Fixtures](#)
- [Universal Chair/Table](#)

Radiation Oncology Solutions

- [Teletherapy Machines](#)
- [Patient Immobilization](#)
- [Serial Tomotherapy](#)
- [Medical Physics Accessories](#)
- [Radiotherapy Simulators](#)
- [Radiotherapy Block Cutters](#)
- [Multileaf Collimators](#)
- [Blood & Research Irradiators](#)
- [Irradiator Accessories](#)
- [Total Body Irradiation](#)
- [Warming Ovens](#)

Radiation Dosimetry & Quality Assurance (QA)

- [Accelerator QA](#)
- [Brachytherapy QA](#)
- [Diagnostic Radiology QA](#)
- [Dose Monitors](#)
- [Dosimetry Phantoms](#)
- [QA Accessories](#)
- [Radiation Physics](#)
- [Radiation Protection](#)
- [Personal Dosimetry](#)
- [Treatment Accessories](#)
- [MOSFET Dose Verification Systems](#)



Products & Solutions (continued)

Vascular Therapy

- [Vascular Brachytherapy \(Novoste Beta-Cath System\)](#)
- [More Information](#)

Oncology Software & Imaging Solutions

- [Ultrasound](#)
- [IMRT Planning](#)
- [Radiology QA & Dosimetry](#)
- [X-Ray Collimators](#)

Medical Particle Accelerators

- [Cyclotrons](#)
- [Particle Therapy](#)
- [Synchrotrons](#)
- [Biomarkers](#)



For more information about
Krishnan Suthanthiran,
the Best Cure Foundation or TeamBest
Global Companies, please visit
www.teambest.com

